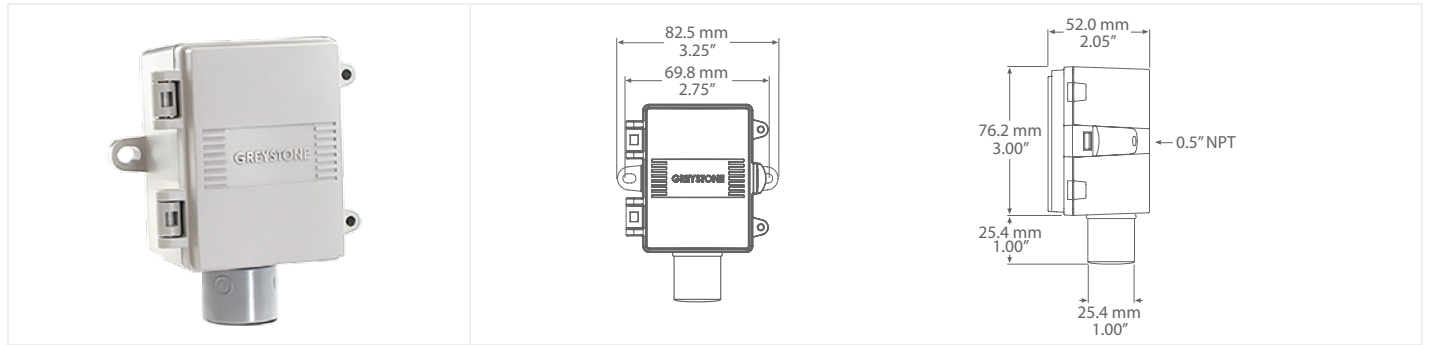


OUTSIDE HUMIDITY TRANSMITTER



HSOS SERIES

PRODUCT DESCRIPTION

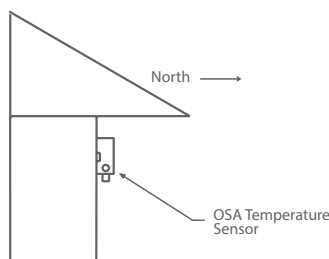
The outside humidity transmitter uses a highly accurate and reliable Thermoset Polymer based capacitance humidity sensor and state-of-the-art digital linearization and temperature compensated circuitry to monitor humidity levels. The sensor is encapsulated in a field replaceable sensor hub for protection from the elements. A weatherproof enclosure that provides ease of installation is provided. An optional integrated temperature sensor is available.

TYPICAL INSTALLATION

For complete installation and wiring details, please refer to the product installation instructions.

The outside transmitter should be mounted on an outside North facing wall, under the eaves which will provide protection from direct sunlight and wind.

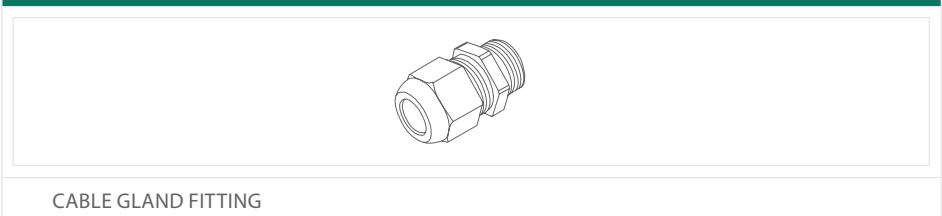
The outside transmitter can be mounted directly to buildings wall face using the provided mounting holes. There is a 0.86" hole for conduit connection of the back of the enclosure.



SPECIFICATIONS

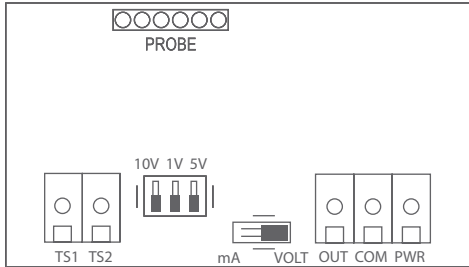
SENSOR TYPE	Thermoset polymer based capacitive
SENSOR ACCURACY	±2, 3, or 5 %RH (5 to 95 %RH)
MEASUREMENT RANGE	0 to 100 %RH
RESOLUTION	±0.01 %RH
HYSTERESIS	±0.8 %RH @ 25°C (77°F)
RESPONSE TIME	8 seconds
STABILITY	<0.25% RH/year
AMBIENT OPERATING RANGE	-40 to 60°C (-40 to 140°F)
POWER SUPPLY	24 Vac/dc ~ ±10% typical
CONSUMPTION	22 mA maximum @24Vdc, 70mA @24Vac
OUTPUT SIGNAL	4-20 mA current loop, 0-5 Vdc, 0-10 Vdc, or 0-1 Vdc (field selectable)
OUTPUT DRIVE @ 24 VDC	Current: 550Ω max Voltage: 10,000Ω min
OPTIONAL TEMPERATURE SENSOR	Feed Through Sensor: Various RTD's and thermistors available as 2 wire resistance output
ENCLOSURE	A: Polycarbonate, UL94-V0, IP65 (NEMA 4X) E: Same as A, with cable gland fitting
TERMINATION	Screw terminal block (14 to 22 AWG)
COUNTRY OF ORIGIN	Canada

OPTIONAL ACCESSORIES - INCLUDED WITH E ENCLOSURE OPTION





WIRING INFORMATION



TERMINAL	FUNCTION
PWR	24 Vac/dc of controller or power supply
COM	GND or COMMON
OUT	Analog Output
TS1	Resistance Output
TS2	Resistance Output

ORDERING

PRODUCT	HSOS	Outside Humidity Transmitter
ENCLOSURE	A E	Polycarbonate with hinged and gasketed cover Same as A, with cable gland fitting
RH ACCURACY	2 3 5	2% 3% 5%
OPTIONAL TEMPERATURE SENSOR	00 02 05 06 07 08 12 13 14 20 24 59	No Temperature Sensor Option 100Ω Platinum, IEC 751, 385 Alpha, thin film, 3 wire 1801Ω NTC Thermistor, ±0.2°C 3000Ω NTC Thermistor, ±0.2°C 10,000Ω Type 3, NTC Thermistor, ±0.2°C 2.252KΩ NTC Thermistor, ±0.2°C 1000Ω Platinum, IEC 751, 385 Alpha, thin film 1000Ω Nickel, Class B, DIN 43760 10,000Ω Type 3, NTC Thermistor, ±0.2°C c/w 11K shunt resistor 20,000Ω NTC Thermistor, ±0.2°C 10,000Ω Type 2, NTC Thermistor, ±0.2°C 10,000Ω 25°C, ±%, B = 3435 ±1% (25/85)

NOTE: Greystone Energy Systems, Inc. reserves the right to make design modifications without prior notice.

PART NUMBER

HSOS

ORDERING - REPLACEMENT SENSOR MODULE

PRODUCT	HRMOS	Replacement Humidity Sensor Module - Hub
RH ACCURACY	2 3 5	2% 3% 5%
OPTIONAL TEMPERATURE SENSOR	00 02 05 06 07 08 12 13 14 20 24 59	No Temperature Sensor Option 100Ω Platinum, IEC 751, 385 Alpha, thin film, 3 wire 1801Ω NTC Thermistor, ±0.2°C 3000Ω NTC Thermistor, ±0.2°C 10,000Ω Type 3, NTC Thermistor, ±0.2°C 2.252KΩ NTC Thermistor, ±0.2°C 1000Ω Platinum, IEC 751, 385 Alpha, thin film 1000Ω Nickel, Class B, DIN 43760 10,000Ω Type 3, NTC Thermistor, ±0.2°C c/w 11K shunt resistor 20,000Ω NTC Thermistor, ±0.2°C 10,000Ω Type 2, NTC Thermistor, ±0.2°C 10,000Ω 25°C, ±%, B = 3435 ±1% (25/85)

PART NUMBER

HRMOS