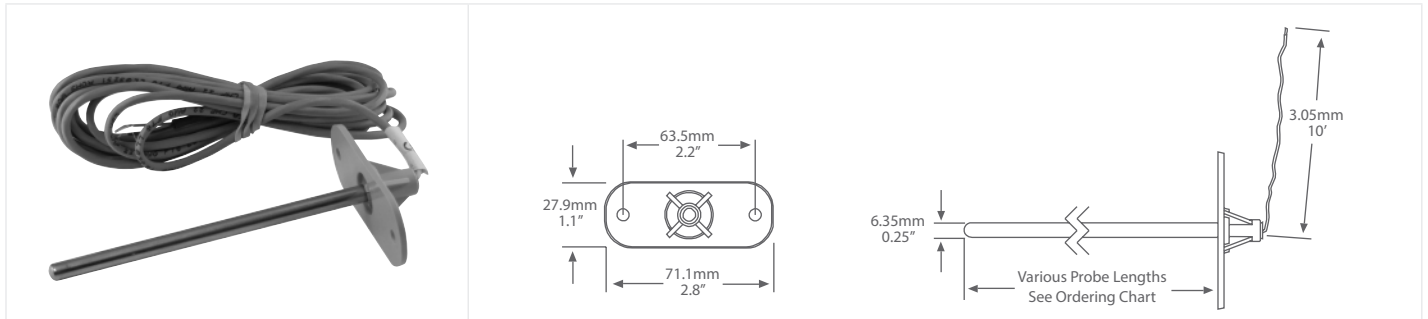




DUCT TEMPERATURE SENSOR



TE200BB SERIES

PRODUCT DESCRIPTION

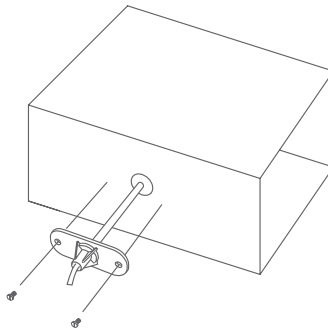
The TE200BB single point duct temperature sensor utilizes a precision sensor encapsulated in a 6.35 mm (0.25") OD, 304 series stainless steel probe and is available in various lengths (see ordering chart). All probes provide excellent heat transfer, fast response and resistance to moisture penetration. The TE200BB comes with an integrated mounting bracket and 3.05 m (10') of plenum rated cable for connection to the Building Automation System.

TYPICAL INSTALLATION

For complete installation and wiring details, please refer to the product installation instructions.

The duct type probes are installed through a hole in the side of the duct to monitor a single point temperature within the duct. Since the probes are tip sensitive, select a probe length that places the sensor well into the duct. Install the probe into a straight section of duct at a suitable distance downstream from any heating, cooling or humidification devices.

Two holes are provided on the bracket to secure the sensor to the duct.



SPECIFICATIONS

SENSOR TYPE	Thermistor or RTD (see ordering chart)
TEMPERATURE RANGE	-20 to 60°C (-4 to 140°F) (higher ranges available, contact Greystone)
WIRE MATERIAL	FT-6 rated plenum cable, 22 AWG
WIRE LENGTH	3.05m (10')
PROBE MATERIAL	304 series stainless steel
PROBE DIAMETER	6.35mm (0.25")
BRACKET MATERIAL	ABS, UL94-V0
TERMINATION	Pigtail 2 or 3 wire
COUNTRY OF ORIGIN	Canada

ORDERING

PRODUCT	TE200BB	Duct Temperature Sensor
SENSOR	2	100 Ω Platinum, IEC 751, 385 Alpha, thin film
	5	1801 Ω NTC Thermistor, ±0.2°C
	6	3000 Ω NTC Thermistor, ±0.2°C
	7	10,000 Ω Type 3, NTC Thermistor, ±0.2°C
	8	2.252K Ω NTC Thermistor, ±0.2°C
	12	1000 Ω Platinum, IEC 751, 385 Alpha, thin film
	13	1000 Ω Nickel, Class B, DIN 43760
	14	10,000 Ω Type 3, NTC Thermistor, ±0.2°C c/w 11K shunt resistor
	20	20,000 Ω NTC Thermistor, ±0.2°C
	24	10,000 Ω Type 2, NTC Thermistor, ±0.2°C
	59	10,000 Ω, 25°C, ±1%, B = 3435 ±1% (25/85)
PROBE	A2	50mm (2")
	B2	100mm (4")
	C2	150mm (6")
	D2	200mm (8")
	E2	300mm (12")
	F2	4500mm (18")

PART NUMBER

TE200BB

NOTE: Greystone Energy Systems, Inc. reserves the right to make design modifications without prior notice.



Call 1.800.372.8837 or
email parts@setpointsystems.com
www.setpointsystems.com